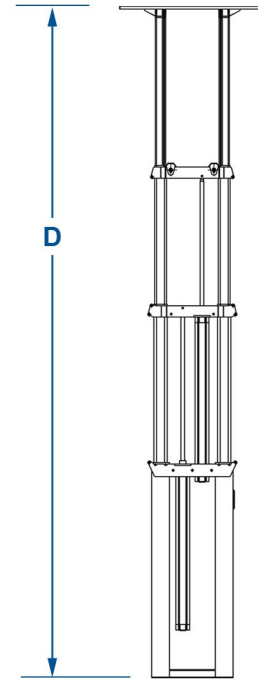
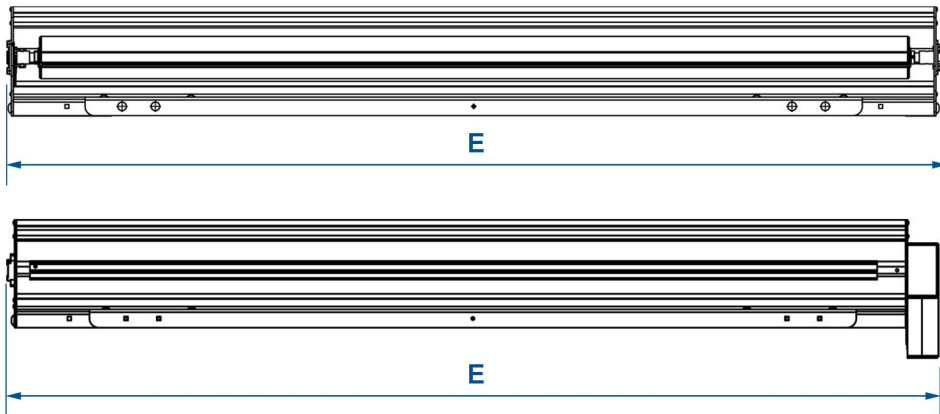


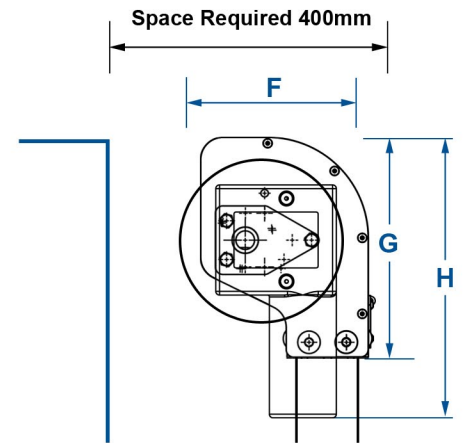
STOWED TOWER



EXTENDED TOWER



ADJUSTABLE HOUSING



HOUSING PROFILE

SYSTEM	A	B	C	D	E	F	G	H	WEIGHT
HyCover Manual	1710	550	120	4610	2550	225	295	-	220kg
HyCover Electric	1710	550	120	4610	2550	225	295	380	205kg
HyCover Offset	1710	550	120	4630	2550	225	295	-	-
HyCover Wide	1970	845	120	4870	2550	225	295	-	-
Mini HyCover Manual	1020	550	120	2400	2252	225	295	-	190kg
Mini HyCover Electric	1020	550	120	2400	2337	225	295	380	175kg
Midi HyCover	1360	550	120	3580	2550	225	295	-	205kg

All dimensions given in millimetres unless otherwise stated.